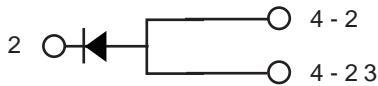


Trench MOS Barrier Schottky Rectifier

$d \wedge W \dot{i} \dot{i} > \dot{i} \dot{n} \dot{\uparrow}$
!"

ï

1



Features

- Advanced trench technology
- Low forward voltage drop
- Low power losses
- High efficiency operation
- Lead Free Finish, RoHS Compliant

Applications

- DC/DC Converters
- AC/DC Adaptors
- Switching Power Supplies
- Freewheeling Diodes

Maximum ratings and electrical characteristics (T_J = 25°C unless otherwise noted)

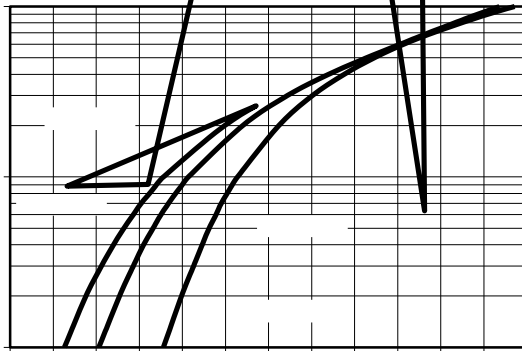
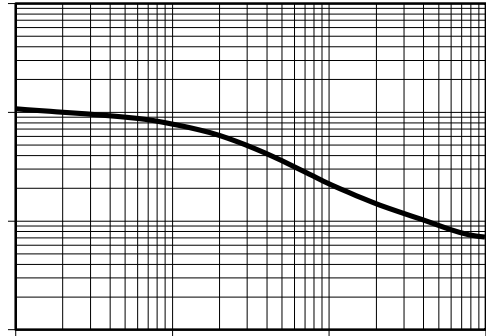
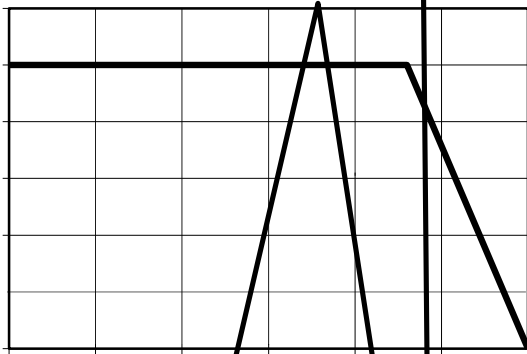
Parameter		Symbol			
				10	
Peak forward surge current 8.3 ms single half sine- wave superimposed on rated load per diode		IFSM		160	A
Operating junction and storage temperature range		T _J , T _{STG}		- 0 to+150	°C
Typical thermal resistance per leg	TO-2	R _{JA}			°C/W
Instantaneous forward voltage per diode			VF(1)	TYP.	MAX.
	IF=2A	TJ=25°C		0.45	0.48
	IF=2A	TJ=125°C		0.40	-
	IF=10A	TJ=25°C		0.66	0.71
IF=10A	TJ=125°C		0.61	-	
Instantaneous reverse current per diode at rated reverse voltage	TJ=25°C		IR(2)	15	60
	TJ=125°C			-	40
				uA	
				mA	

Notes:

(1) Pulse test: 300 μs pulse width, 1 % duty cycle

(2) Pulse test: Pulse width ≦ 40 ms

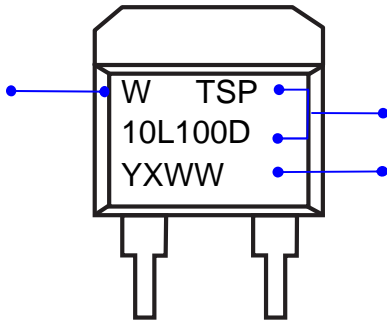
RATINGS AND CHARACTERISTICS CURVES (TA = 25 °C unless otherwise noted)



PACKAGE OUTLINE DIMENSIONS

Note:unit In(mm)

0 D U N L Q J , Q I R U P D W L R Q



W : Company's trademark

Product model : TSP10L100D For TSP10L100D-S

PDC information

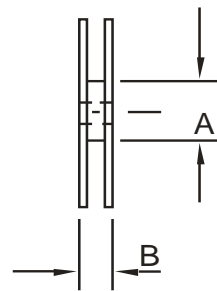
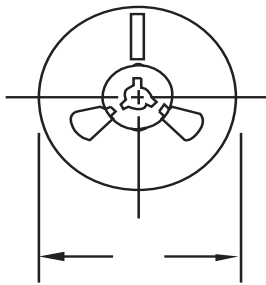
Y X WW

WW:Week code(01 to 53)

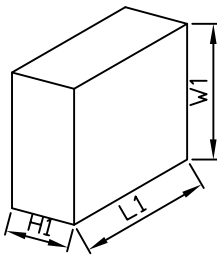
X:Internal identification code

Y:Year code(ex:0=2020)

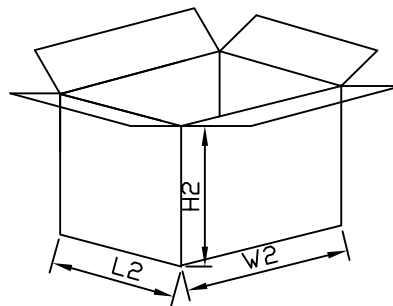
1.Reel Dimensions



2. Inside Box



3. Outside Box



Packaging Information

NO	UNIT	Reel Dimensions			Inside Box			Outside Box		
		A	B	L1	W1	H1	L2	W2	H2	
Size	mm	330	100	15	340	335	45	370	360	270
QTY	PCS	Smallest package,2500PCS/reel			5,000PCS,2 reel in total			25,000PCS/carton,5 boxes in total		